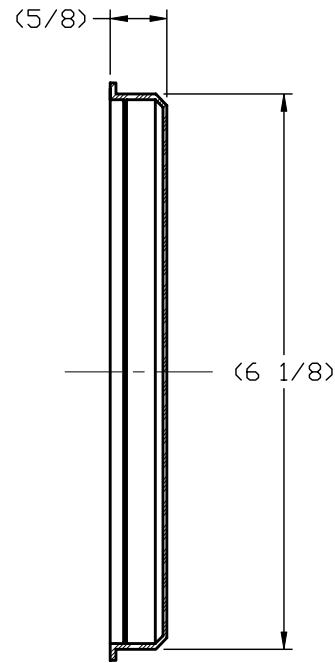
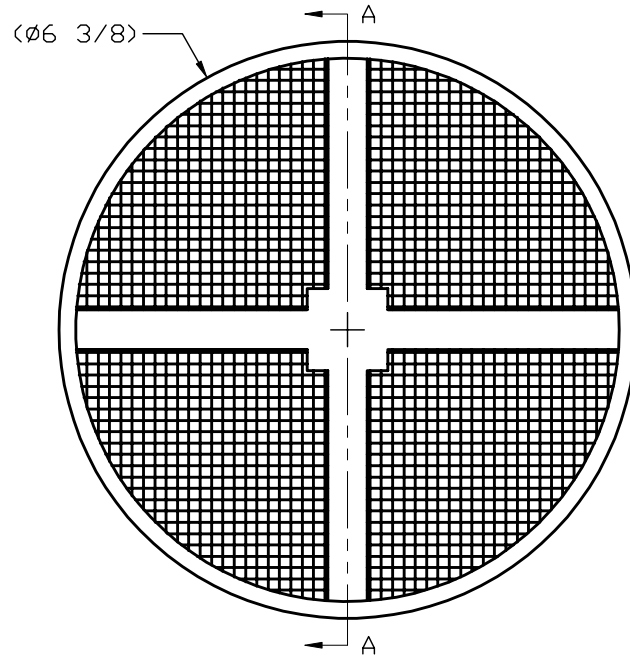


SALES DRAWING



SALES DRAWING

C	PJG	2-6-08	DD WAS 6 1/4
B	CHL	1-16-03	ADDED MATERIAL & UPDATED TO NEW STANDARDS
A	MRC	7-13-99	ADDED SQUARE TO CENTER OF PART
REV	BY	DATE	DESCRIPTION

UNLESS OTHERWISE SPECIFIED DIMENSIONAL TOLERANCES	
FRACTIONAL	±1/16
X.XX	±0.03
X.XXX	±0.015
ANGULAR	±1°

SALCO PRODUCTS, INC. **2D**

DRAWN BY: BRW	CHKD BY:	SCALE: 1:1	APPROVAL DATE: 7-25-94
MATERIAL: CHEVRON 1412 LDPE			
PART NAME: KLEAN SEAL NOZZLE 6			

THIS PRINT, PROPERTY OF SALCO PRODUCTS, INC., CONTAINS PROPRIETARY INFORMATION AND MUST NOT BE COPIED, REPRODUCED, OR USED IN WHOLE OR IN PART WITHOUT THE WRITTEN PERMISSION OF SALCO PRODUCTS, INC.

PROJECT #:	PROTOTYPE AND DATE:	APPROVED FOR PRODUCTION:
------------	---------------------	--------------------------

THIRD ANGLE PROJECTION

DRAWING #: C5784	PART #: NKS625V
------------------	-----------------